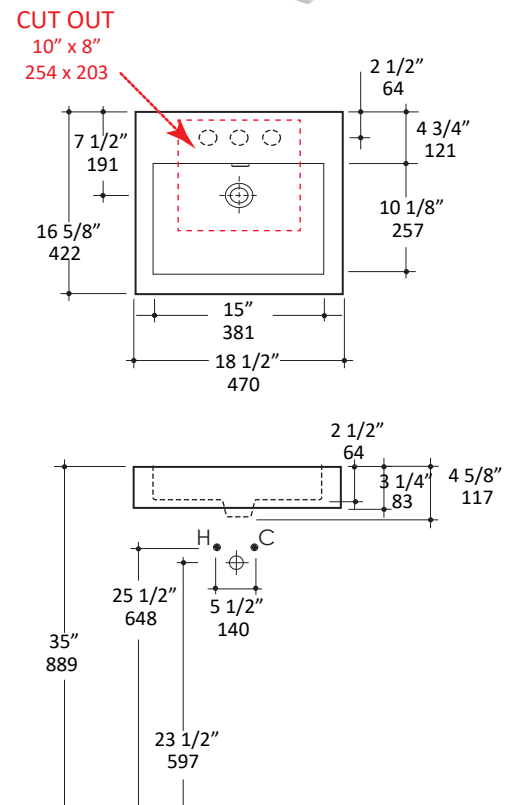


## Specifications:

<b>Installation:</b>	Vessel or vanity-top
<b>Exterior Dimensions:</b>	18 1/2" w x 16 5/8" d x 4 5/8" h
<b>Material:</b>	Porcelain
<b>Weight:</b>	24 lbs
<b>Overflow:</b>	Yes
<b>Finishes:</b>	001 - White
<b>Faucet Holes:</b>	00 - no hole 01 - one centered hole 03 - three hole, 8" spread
<b>Cutout Size:</b>	10" x 8" (template available upon request)
<b>Faucet Hole Size:</b>	Ø 1 3/8"
<b>Drain Hole Size:</b>	Ø 1 3/4"



## Features:

- Porcelain sink with overflow
- Most standard American drains can be used
- Glazed back wall
- It requires brackets for wall-mount installation  
8443V sold separately
- Unglazed bottom

## Codes + Standards:

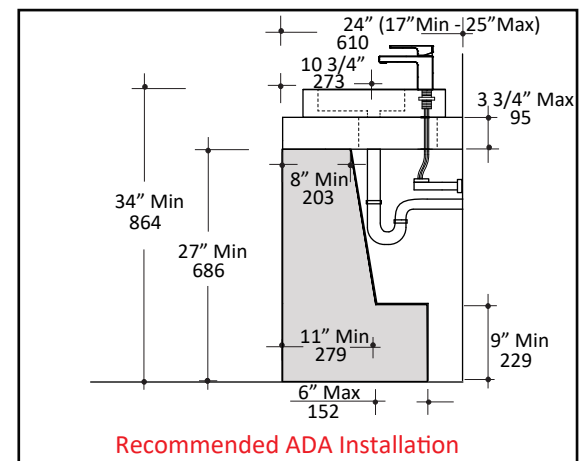
- Meets and exceeds applicable national codes and standards



compliant when installed to specific requirements of this regulation

## Recommended Items:

- Furniture
  - AQP-BX-19 - Floor-standing metal console stand with towel bars and optional shelf
  - AQP-FR-19 - Floor-standing metal console stand with a towel bar and optional shelf
  - 8443V-L/R - V-bracket in polished stainless steel (L-left, R-right)
- European drain with overflow
  - 7100-12
  - 7100-13OF
  - 7100-16OF



LACAVA reserves the right to revise any dimension or information on this sheet without notice. Dimensions are nominal and may vary within an industry accepted tolerance of 1/4". Drawings provided herein are meant to give the user an idea of the product and are not made to scale.  
Revised: 8/14/2019